

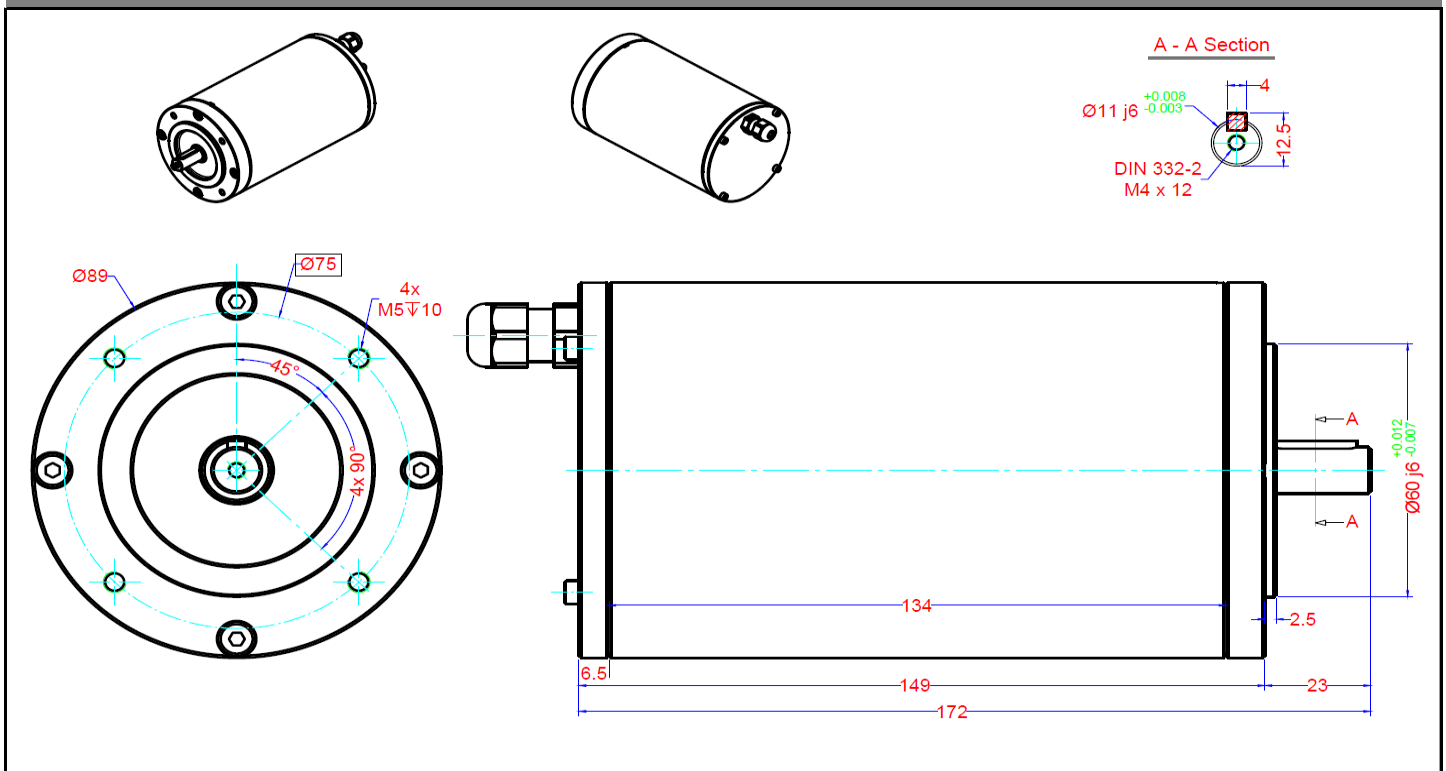
**Neodim Permanent Magnet (PM) DC MOTORS**

Part Number	Output kW.	Voltage DC	Speed r.p.m.	Current A.	Torque Nm.	Weight kg.	Protection Class	Cooling Type	Working Duty	Mounting Type	Flange Dimension
5M0406.004M	0.12	48	1400	3	0.8	2.8	IP44	IC 410	S2	Flange	63 B14
5M0406.012M	0.12	24	3000	6	0.4	2.8	IP44	IC 410	S2	Flange	63 B14
5M0406.007M	0.15	12	1400	15	1.0	2.8	IP44	IC 410	S2	Flange	63 B14
5M0406.018M	0.2	24	2200	10	0.9	2.8	IP44	IC 410	S2	Flange	63 B14
5M4006.003M	0.2	24	3200	10	0.6	2.8	IP44	IC 410	S2	Flange	63 B14
5M0406.016M	0.55	24	4400	27	1.2	2.8	IP44	IC 410	S2	Flange	63 B14

**General Specifications**

- High Magnetic Strength Neodim Magnets
- Encapsulated magnets to prevent movements
- Steel housing with aluminium DE & NDE shields
- IP44 Protection Class. Higher available upon request.
- IC410 Cooling. Alternatives are available upon request.
- S2 Intermittent Working Duty. S1 Continuous available upon request.
- Thermal Sensor placement available upon request
- Cable Output. Stud output available upon request
- F Class Ins. (155 °C). H Class available upon request.
- Flange Mounting. Foot available upon request.
- Encoder and Resolver mounting available on request
- Short delivery time with reliable quality.

**Dimensional Drawing**



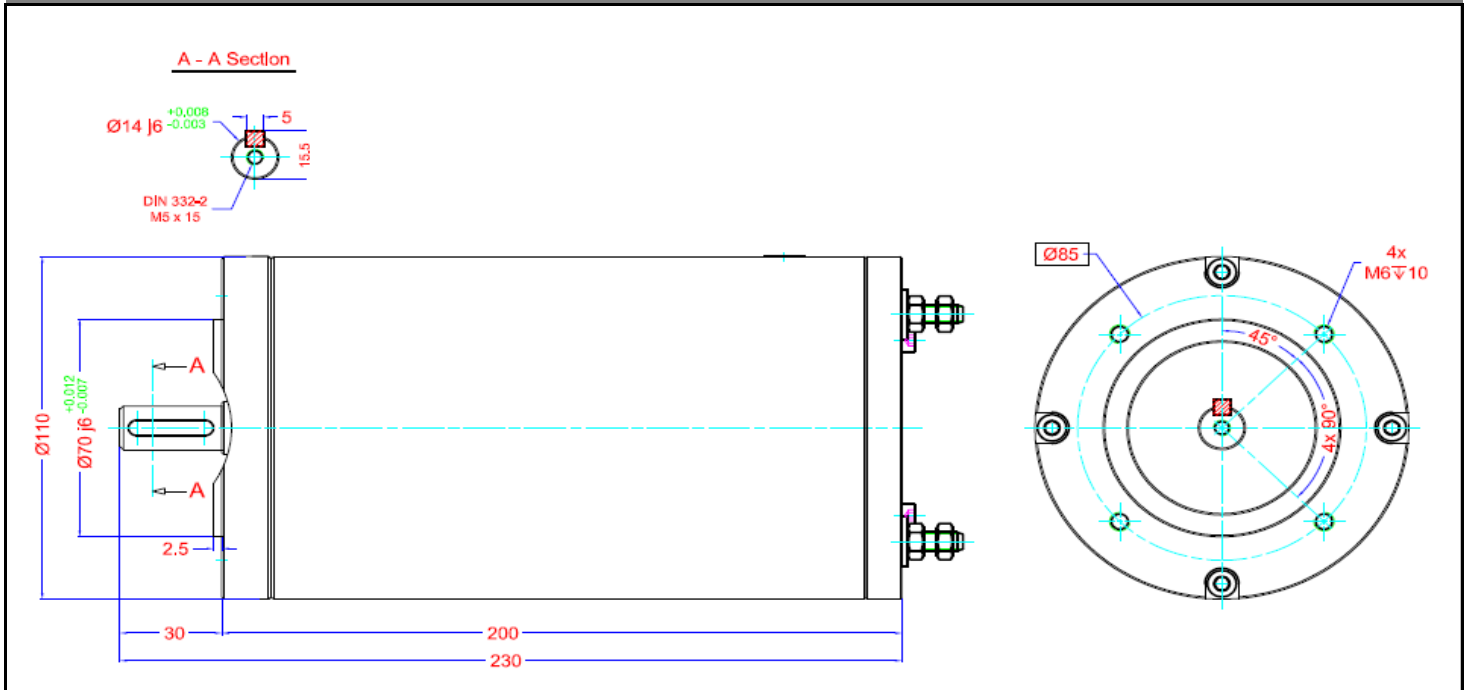
**Neodiu Permanent Magnet (PM) DC MOTORS**

Part Number	Output kW.	Voltage DC	Speed r.p.m.	Current A.	Torque Nm.	Weight kg.	Protection Class	Cooling Type	Working Duty	Mounting Type	Flange Dimension
5M0606.070M	0.37	12	2900	36	1.2	8	IP 44	IC 410	S2	Flange	71 B14
5M0606.109M	0.37	24	1500	18	2.4	8	IP 44	IC 410	S2	Flange	71 B14
5M0606.187M	0.37	48	1500	9	2.4	8	IP 44	IC 410	S2	Flange	80 B14
5M0606.016M	0.55	12	2000	54	2.6	8	IP 44	IC 410	S2	Flange	71 B14
5M0606.005M	0.55	24	1500	26	3.5	8	IP 44	IC 410	S2	Flange	71 B14
5M0606.072M	0.60	24	2000	29	2.9	8	IP 44	IC 410	S2	Flange	71 B14
5M0606.094M	0.75	24	1000	37	7.2	8	IP 44	IC 410	S2	Flange	71 B14
5M0606.003M	0.75	24	1500	37	4.8	8	IP 44	IC 410	S2	Flange	71 B5
5M0606.013M	0.75	24	2200	39	3.3	8	IP 44	IC 410	S2	Flange	71 B14
5M0606.077M	0.75	48	3000	18	2.4	8	IP 44	IC 410	S2	Flange	71 B14

**General Specifications**

- High Magnetic Strength Neodiu Magnets
- Encapsulated magnets to prevent movements
- Steel housing with aluminium DE & NDE shields
- IP44 Protection Class. Higher available upon request.
- IC410 Cooling. Alternatives are available upon request.
- S2 Intermittent Working Duty. S1 Continuous available upon request.
- Thermal Sensor placement available upon request
- Stud Output. Cable output available upon request
- F Class Ins. (155 °C). H Class available upon request.
- Flange Mounting. Foot available upon request.
- Encoder and Resolver mounting available on request
- Short delivery time with reliable quality.

**Dimensional Drawing**



**Neodiu Permanent Magnet (PM) DC MOTORS**

Part Number	Output kW.	Voltage DC	Speed r.p.m.	Current A.	Torque Nm.	Weight kg.	Protection Class	Cooling Type	Working Duty	Mounting Type	Flange Dimension
5M1007.004M	2.2	24	1500	108	14.0	22	IP 44	IC 411	S2	Flange	100 B14
5M1007.002M	3	24	2500	147	11.5	22	IP 44	IC 411	S2	Flange	100 B14
5M1011.009M	3	48	1500	74	19.1	25	IP 44	IC 411	S2	Flange	100 B14
5M1011.020M	3	24	2000	147	14.3	25	IP 44	IC 411	S2	Flange	100 B14
5M1009.002M	3.5	24	2800	172	11.9	22	IP 44	IC 411	S2	Flange	100 B14
5M1011.008M	4	24	2500	196	15.3	25	IP 44	IC 411	S2	Flange	100 B14
5M1011.004M	4	48	2500	98	15.3	25	IP 44	IC 411	S2	Flange	100 B14

**General Specifications**

- High Magnetic Strength Neodiu Magnets
- Encapsulated magnets to prevent movements
- Steel housing with aluminium DE & NDE shields
- IP44 Protection Class. Higher available upon request.
- IC411 Cooling. Alternatives are available upon request.
- S2 Intermittent Working Duty. S1 Continuous available upon request.
- Thermal Sensor placement available upon request
- Terminal Box. Cable output available upon request
- F Class Ins. (155 °C). H Class available upon request.
- Flange Mounting. Foot available upon request.
- Encoder and Resolver mounting available on request
- Short delivery time with reliable quality.

**Dimensional Drawing**

